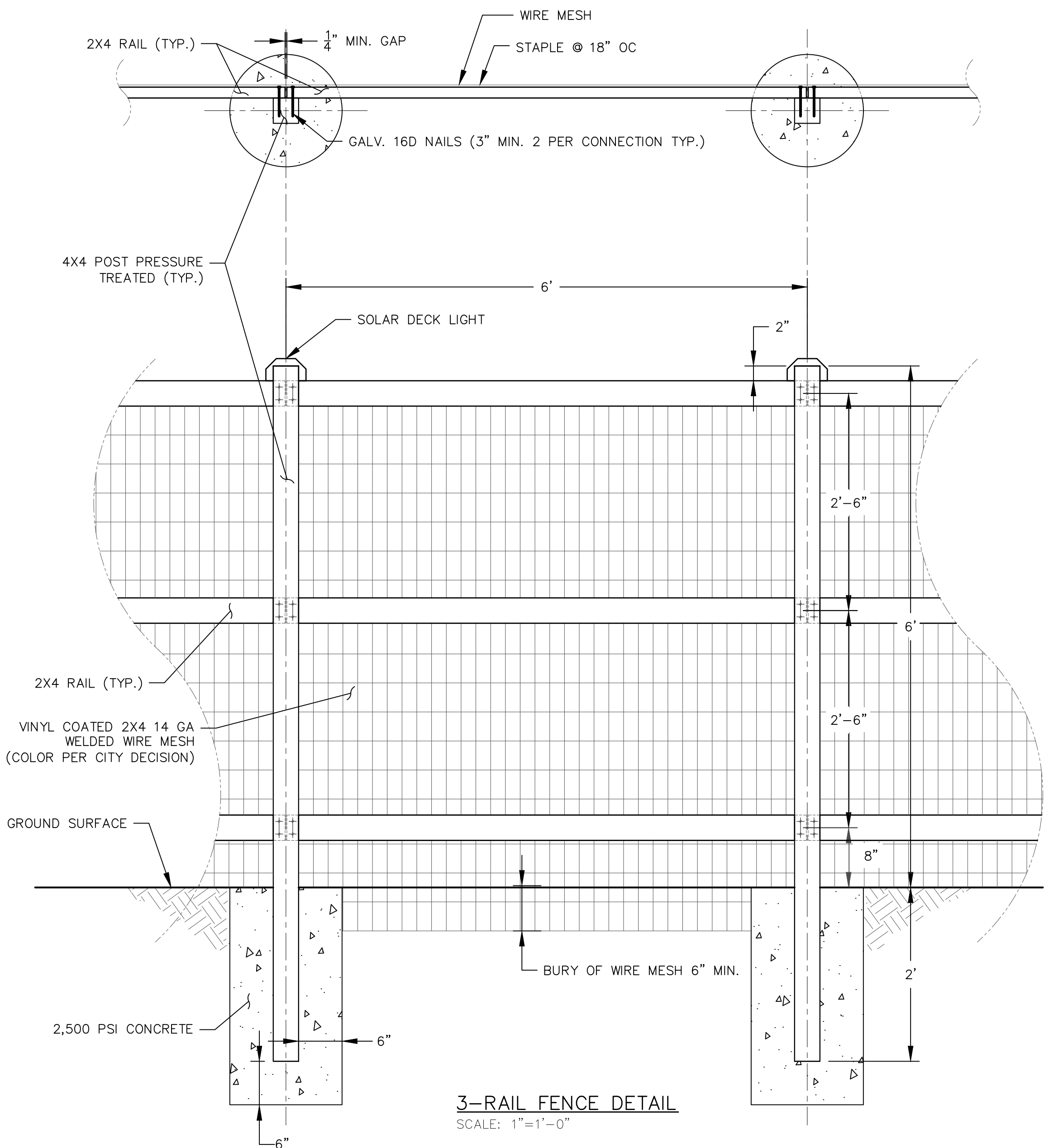
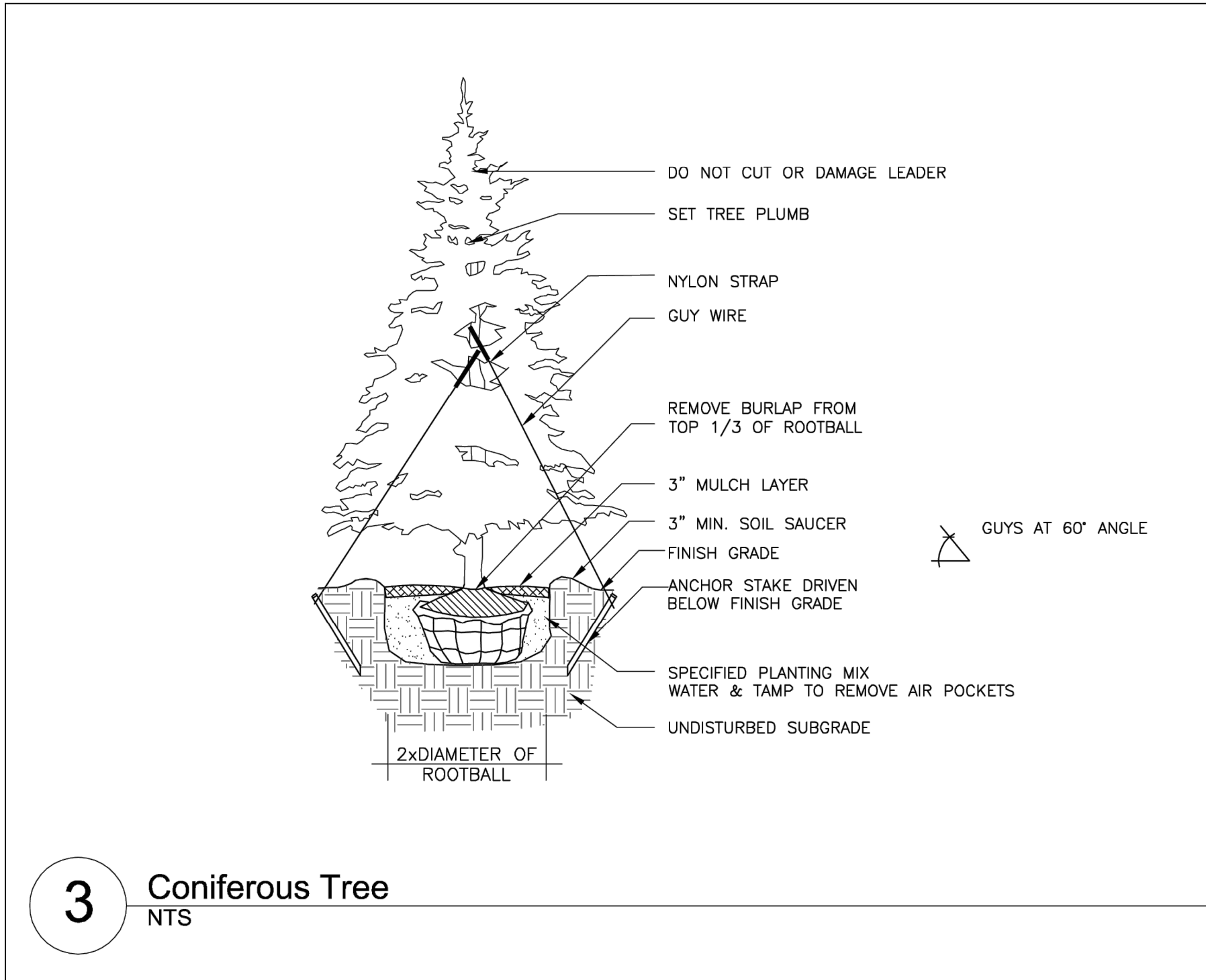
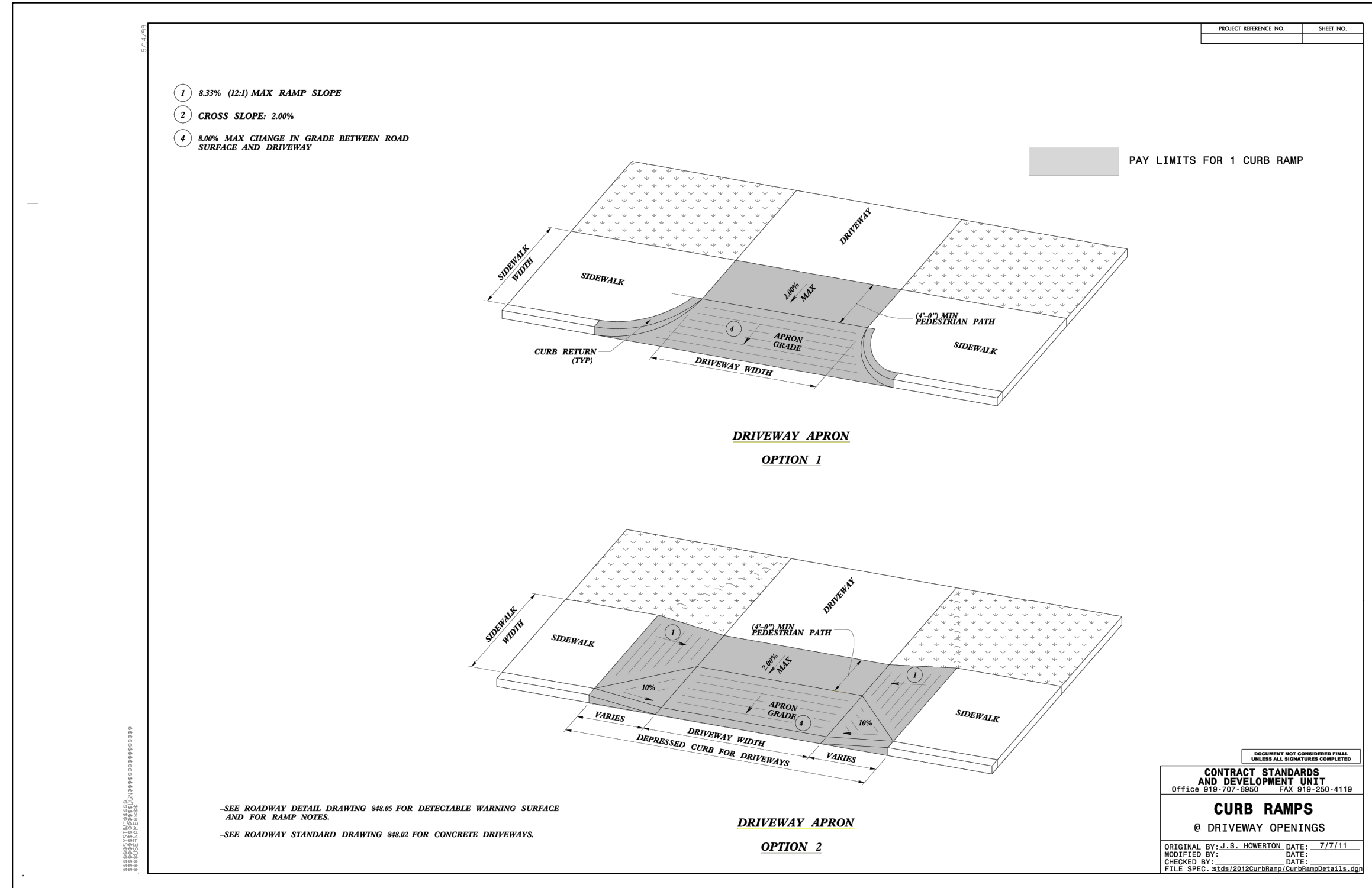


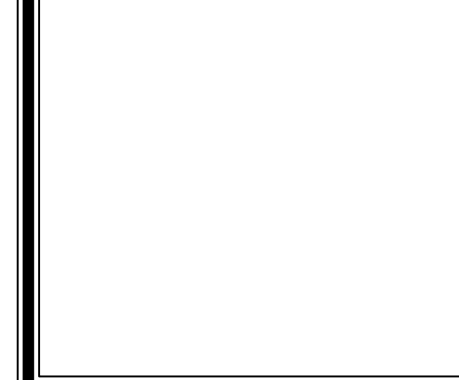
THIS DRAWING IS THE PROPERTY OF SUMMIT ENGINEERING GROUP, INC. AND IS NOT TO BE REPRODUCED OR TRANSMITTED IN ANY FORM OR BY ANY MEANS, ELECTRONIC OR MECHANICAL, INCLUDING PHOTOCOPYING, RECORDING, OR BY ANY INFORMATION STORAGE AND RETRIEVAL SYSTEM, WITHOUT THE WRITTEN PERMISSION OF SUMMIT ENGINEERING GROUP, INC. AND IS NOT TO BE USED ON ANY OTHER PROJECT AND SITE SPECIFICALLY IDENTIFIED HEREIN AND IS NOT TO BE USED ON ANY OTHER PROJECT.

N:\PROJECTS\22017\_BREVARD - BIKE PATH\DWG\22017-Base\_TANNERY.ncddt.dwg 5/28/2023 9:56:00 AM



REVISIONS	
NO.	DESCRIPTION
1	REVISED BASED ON 1/14/25 MFC
2	REVISED BASED ON 1/22/24 MFC
3	REVISED BASED ON 1/22/24 MFC
4	REVISED BASED ON 1/22/24 MFC

APPROVALS	
PROJECT ENG.	DATE
AF	
DESIGNED BY:	
AF	
DRAWN BY:	
JKK	
CHECKED BY:	
MFC	
APPROVED:	
AF	



SEAL  
 33925  
 Alvin Fuller, Jr.  
 CIVIL ENGINEER  
 8/28/2026

**SUMMIT ENGINEERING GROUP INC.**  
 ENGINEERS • PLANNERS • SURVEYORS

9601 Warren H. Abernathy Hwy.  
 Spartanburg, SC 29301  
 (864)949-1111

SHEET TITLE: MISCELLANEOUS DETAILS  
 DATE: DEC. 2023 | SCALE: AS SHOWN

PROJECT: ESTATOE TRAIL PHASE III (TANNERY PROPERTY) FOR THE CITY OF BREVARD, NC  
 TRANSLVANIA COUNTY NORTH CAROLINA

N.B. NO.	SHEET
REF.	17
PROJECT NO.	OF
22017	

FILE: 22017\_Base